

Specifications

MODEL		GTH-4013	
MEASUREMENTS		Metric	Imperial
Lifting height maximum	13 m	42 ft 8 in	
Lifting capacity maximum	4,000 kg	8,817.6 lbs	
Lift capacity at maximum height	3,000 kg	6,613 lbs	
Lift capacity at maximum reach	1,250 kg	2,755.5 lbs	
Forward reach maximum	9.08 m	27 ft 9.5 in	
Reach at maximum height	65 cm	2 ft 1.5 in	
A Height	2.42 m	7 ft 11.5 in	
B Height at steering wheel	1.60 m	5 ft 3 in	
C Width	2.33 m	7 ft 7.5 in	
D Inside cab width	78 cm	2 ft 7 in	
E Track	1.92 m	6 ft 3.5 in	
F Wheelbase	2.95 m	9 ft 8 in	
G Length at front wheels	4.83 m	15 ft 10 in	
H Length at fork-holder plate	6.10 m	20 ft	
I Ground clearance	43 cm	1 ft 5 in	
L Overall width, stabilisers extended	2.89 m	16 ft 6 in	
M1 Obstruction angle	38°	38°	
M2 Departure angle	46°	46°	

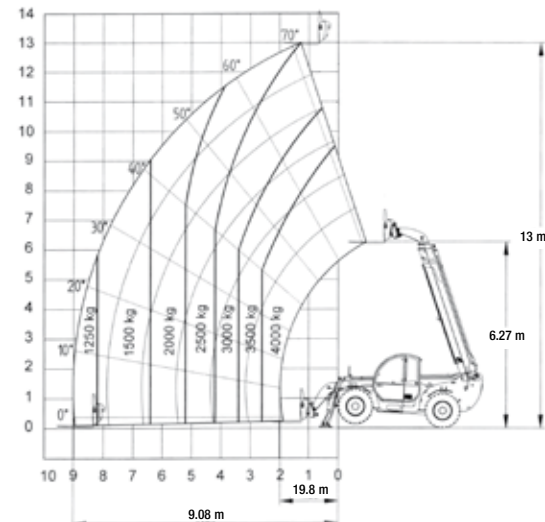
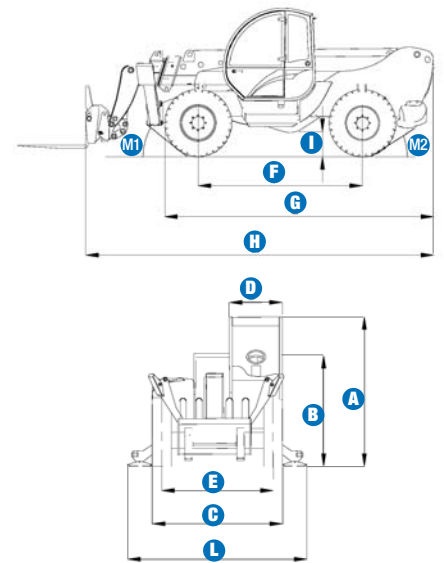
PRODUCTIVITY		
Lifting/lowering speed	11 sec./7 sec.	11 sec./7 sec.
Extension/retraction speed	16 sec./13 sec.	16 sec./13 sec.
Inside/outside turning radius	1.14 m/3.79 m	3 ft 9 in/ 12 ft 5 in
Break-out force (with 800 L shovel SAE J 732/80)	5,000 kg	11,022 lbs
Towing capacity at dynamometer	8,300 kg	18,296.5 lbs
Travel speed maximum	35 km/h	21.7 mph
Fork-holder plate rotation	138°	138°
Chassis levelling on front axle	+/- 6°	+/- 6°
Floating forks	L 1,200 mm Section 120x50mm	L 3 ft 11 in Section 4.5 in x 2 in
Tyres (DIN 70361)	405/70 20" PR14 8 holes wheel rim	

POWER		
Engine	Cummins Turbo diesel 99 hp (74 kW)	
Tank capacities		
Petrol	150 Lt	40 gal
Engine oil	12 Lt	3 gal
Hydraulic oil	135 Lt	36 gal
Hydraulic output/pressure	95 Lt/min-270 bars	20.9 gal./3,916 psi

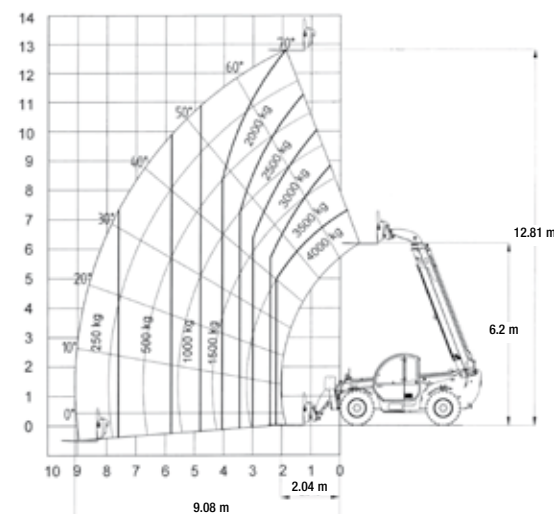
WEIGHT		
Weight*	9,820 kg	21,647 lbs

STANDARDS COMPLIANCE	
Operating cab conforms to ISO3471 (ROPS) and ISO3449 (FOPS)	
Low emission engine conforms to UE 97/68 directives.	
GOST R 50950-96	

* Weight will vary depending on options and/or country standards



Lift capacity chart (with stabilisers)



Lift capacity chart (without stabilisers)

EN1459, Annex B

Features

STANDARD FEATURES

MEASUREMENTS

- 4,000 kg (8,817.6 lb) maximum lift capacity
- 13 m (42 ft 8 in) maximum lift height
- 9.08 m (27 ft 9 1/2 in) maximum forward reach

PRODUCTIVITY

- 4 x 4
- 4 - wheel steer
- 3 steering modes:
 - front wheel steer
 - crab steer
 - coordinated steer
- Power assisted steering
- Front hydraulic stabilisers
- Quick coupling of tools from cab
- Two-speed hydrostatic motor coupled to a two-speed mechanical gearbox
- Electro-proportional 4x1 joystick
- Limited slip differential on front axle
- 405/70 20" tyres
- Floating forks
- Attachment holder plate with mechanical coupling
- Adjustable pneumatic seat
- Large diameter steering wheel
- Front windscreen wipers
- Front & rear lights
- Side-mounted engine for easy access to components
- Oil immersed multi-disc brakes on both axles
- Lockable fuel tank
- Longitudinal stability control system with load monitor
- Visible display with coloured LEDs
- Audible alarm
- Automatic lock-out of boom extension and lowering
- Lock-out of stabilisers and chassis levelling with boom raised
- Chassis levelling on front axle +/- 6°
- Automatic lock-out of oscillating rear axle
- Control enable switch

POWER

- Cummins turbo diesel 99 hp (74 kW)



OPTIONS & ACCESSORIES

PRODUCTIVITY

- Air conditioning
- Second hydraulic line on boom
- Windshield protection grid
- Wiper on cab roof
- Adjustable spotlight
- 405/70-24" tyres
- Spare wheel
- Foam filled tyres
- 10 ton hydraulic jack and 24 mm wheel nut wrench

ATTACHMENT OPTIONS

- Loading shovel 800 L
- 500 L/800 L concrete bucket, manual/hydraulic discharge
- Concrete mixing bucket 500 L with remote control
- Brick-holder basket
- Forks side-shift (+/- 100 mm)
- FEM 3 plate and forks kit
- Fixed hook on plate
- 4 m jib, 900 kg capacity
- 4 m jib with 900 kg capacity hydraulic winch
- 3000 kg hydraulic winch
- Fixed or rotating man-platform (up to 4.64 m)

European Offices

UK

The Maltings
Wharf Road
Grantham NG31 6BH
UK
Tel: +44 (0)1476 584333
Fax: +44 (0)1476 584334

France

10, ZA de la Croix St. Mathieu
28320 Gallardon
France
Tel: +33 (0)2 37 26 09 99
Fax: +33 (0)2 37 26 09 98

Germany

Finienweg 3
28832 Achim/Bremen
Germany
Tel: +49 (0)4202 8852-0
Fax: +49 (0)4202 8852-25

Spain

Gaià 31, Pol. Ind. Plà d'en Coll
08110 Montcada i Reixac
Barcelona
Spain
Tel: +34 93 572 50 90
Fax: +34 93 572 50 91

Scandinavia

Tagenevägen 72
425 37 Hisings Kärä
Sweden
Tel: +46 31 57 51 00
Fax: +46 31 57 90 20

Genie United States

18340 NE 76th Street
P.O. Box 97030
Redmond, Washington 98073-9730
USA
Tel: +1 425 881-1800
Fax: +1 425 883-3475

WEB: www.genieindustries.com
Email: infoeurope@genieind.com

Distributed By: